

Diesel Engine Compression Testing - Standard Car Kit

314200V2

Comprehensive test kit for both direct and indirect diesel injected engines

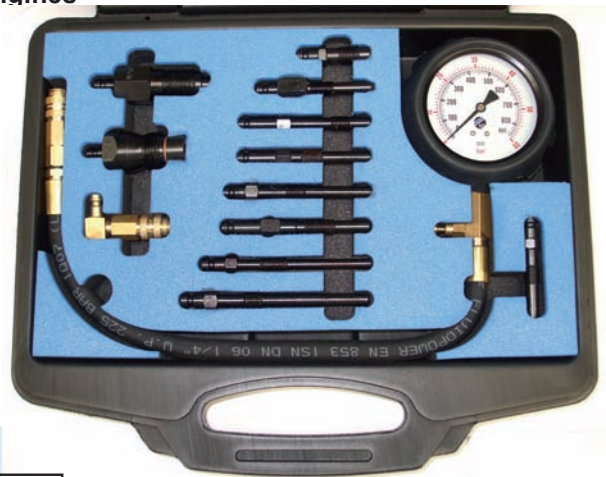
- Checks engine compression under cranking conditions
- Enables cylinder access through dummy injector and glow plug adaptors
- Built-in pressure relief valve enables repeat tests without dismantling
- Recently updated contents to cover the latest 2006 / 07 applications

Specification:-

- 560mm Rubber Hose
- Gauge Scale 0 - 60bar, 0 - 860psi
- Gauge Diameter 83mm
- Gauge to DIN16005, DIN16063, BS1780 standards

Set Contents

- 31420100 Gauge and Hose Assembly
- 31473070 Elbow Connector



Refer to pages 28/29 for full model application details.

Use with Optional Kit 31420500 to upgrade for:

HGV / Industrial / Plant applications (in conjunction with gauge 31420100)

Spare Parts:

- 31400500 Service Kit for 31420100 Compression Tester
- 01420500 Seals and Washers

PART NO.	THREAD	LENGTH	DESCRIPTION
31421000	M10 x 1.25mm	73mm	GLOW PLUG
31421570	M8 x 1.00mm	102mm	GLOW PLUG
31422070	M10 x 1.00mm	63mm	GLOW PLUG
31422500	M24 x 2.00mm	64mm	INJECTOR
31423570	M20 x 1.5mm	75mm	INJECTOR
31424000	M12 x 1.25mm	47mm	GLOW PLUG
31424370	M10 x 1.00mm	90mm	GLOW PLUG
31424970	M10 x 1.00mm	113mm	GLOW PLUG
31425270	M10 x 1.00mm	93mm	GLOW PLUG
31425470	M10 x 1.00mm	83mm	GLOW PLUG
31425970	M10 x 1.00mm	83mm	GLOW PLUG

Diesel Engine Compression Tester - Premier Car kit

314295V2

Premier Car Kit containing a wide variety of popular dummy glow plug and injector applications. additional applications coverage :-

- Contains additional glowplug adaptors and dummy injectors, for Mercedes, VW/Audi, Land Rover and PSA applications

Set Contents

- 31420100 Gauge and Hose Assembly
- 31473070 Elbow Connector



PART NO.	THREAD	LENGTH	DESCRIPTION
31421000	M10 x 1.25mm	73mm	GLOW PLUG
31421570	M8 x 1.00mm	102mm	GLOW PLUG
31422070	M10 x 1.00mm	63mm	GLOW PLUG
31422500	M24 x 2.00mm	64mm	INJECTOR
31423370	M10 x 1.25mm	114mm	GLOW PLUG
31423470	M10 x 1.00mm	119mm	GLOW PLUG
31423570	M20 x 1.5mm	75mm	INJECTOR
31423670	M22 x 1.5mm	73mm	INJECTOR
31423970	M24 x 1.5mm	88mm	INJECTOR
31424000	M12 x 1.25mm	47mm	GLOW PLUG
31424100	M10 x 1.25mm	64mm	GLOW PLUG
31424370	M10 x 1.00mm	90mm	GLOW PLUG
31424570	M22 x 1.5mm	118mm	INJECTOR
31424970	M10 x 1.00mm	113mm	GLOW PLUG
31425270	M10 x 1.00mm	93mm	GLOW PLUG
31425370	M10 x 1.00mm	133mm	GLOW PLUG
31425470	M10 x 1.00mm	83mm	GLOW PLUG
31425970	M10 x 1.00mm	83mm	GLOW PLUG
31426770	M10 x 1.00mm	162mm	GLOW PLUG
31426870	M10 x 1.00mm	113mm	GLOW PLUG
31426970	M10 x 1.25mm	135mm	GLOW PLUG
31427170	M10 x 1.25mm	145mm	GLOW PLUG
31427370	M9 x 1.00mm	122mm	GLOW PLUG

Refer to pages 28/29 for full model application details

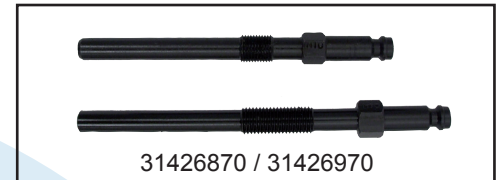
Diesel Compression Adaptor Sets

- A new range of short sets of adaptors for Diesel Compression Testing to complement existing kits
- Suitable for all previous models of SP Diesel Compression Testers
- Each set contains the appropriate adaptors for a particular engine series, which often cover more than one manufacturer
- Applications for the full range of adaptor sets are provided with each short set

31428800 - Vauxhall / Opel & Mercedes

Applications:

- GM Astra G,H / Corsa C / Frontera B / Meriva / Omega B / Sintra / Signum / Vectra B,C / Zafira 1.7DDTi, CDTi, Di, 2.0DTi, 2.2DTR, 3.0CDTi
- Mercedes C, E, CLK, S, V Class / Vito / Sprinter 2.2, 2.7, 3.2 & 3.9CDi



31428900 - Nissan & Toyota

Applications:

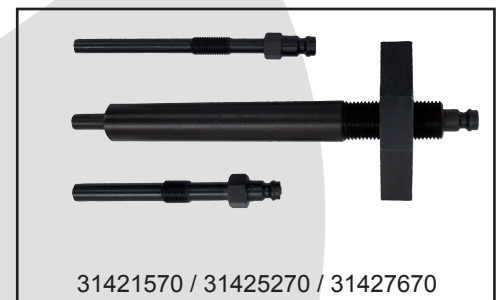
- Nissan Almera / Primera / X Trail 2.2DDT & 2.2DDTi
- Toyota Avensis / Corolla / Previa / Landcruiser 2.0, 3.0D



31429100 - Ford, Fiat & PSA

Applications:

- Citroen Berlingo / C1, C2, C3, C4, C5, C8 / Evasion / Synergie Jumpy / Dispatch / Jumper / Relay / Picasso / Xantia / Xsara 1.4, 1.6, 2.0, 2.0 16v, 2.2HDI
- Fiat Ducato / Scudo / Ulysse 2.0, 2.0 16v, 2.2JTD
- Ford Fiesta / Focus / CMAX / Fusion 1.4 & 1.6TDCi
- Lancia Phedra / Zeta 2.0, 2.0 16v, 2.2 JTD
- Mazda 2, 1.4
- Peugeot 107 / 1007 / 206 / 206CC / 207 / 306 / 307 / 307CC / 406 / 406CC / 407 / 607 / 806 / 807 / Boxer / Expert / Partner 1.4, 1.6, 2.0, 2.0 16v, 2.2HDI
- Suzuki Grand Vitara / Liana 1.4, 2.0
- Toyota Aygo 1.4
- Volvo S40 / V50 1.6



31429200 - Fiat Group & Vauxhall / Opel

Applications:

- Alfa 146 / 156 / 147 / 159 / 166 / 1.9JTD 16v / 1.9JTDM8V 16v / 2.4JTD
- Fiat Brava / Bravo / Croma / Doblo / Cargo / Grande Punto / Marea / Multapla / Punto / Idea / Panda / Stilo / Strada 1.3D / Multijet 1.3JTD, 16v, 1.9D / Multijet 1.9JTD & 2.4D
- Lancia Kappa / Lybra / Musa / Thesis / Ypsilon 1.3 / Multijet 1.3JTD, 1.9JTD, 1.9 & 2.4JTD
- GM Aglia / Astra H / Corsa C & D / Meriva / Signum / Tigra / Vectra C / Zafira 1.3CDTi, 1.9CDTi, 16v
- Saab 9-3, 1.9TiD
- Suzuki Wagon R+ 1.3DDis



31429300 - Nissan / Renault

Applications:

- Nissan Almera / Interstar / Kubistar / Micra / Note 1.5DCi, 2.2DCi, 2.5DCi
- Renault Clio / Espace IV / Kangoo / Laguna2 / Master / Megane / Modus Scenic2 / Trafic / Vel Satis 1.5DCi, 2.2DCi, 2.5DCi
- Vauxhall Movano 2.2DCi & 2.5DCi



31429400 - Ford / Jaguar

Applications:

- Ford Fiesta / Focus / Mondeo / Transit / Connect 1.8TDDi, 1.8TDCi, 2.0DDi, 2.0TDCi & 2.4DDi
- Jaguar 2.0D X Type



Diesel Compression Testing - Applications Listing & Kit Contents

		314295V2	314200V2
ALFA ROMEO			
33/75	1.8D/2.0TD	•	•
145/146/155	1.9TD	•	•
145/146/147/156/159	1.9JTD	•	•
147/156/159	1.9JTD/JTDM 16V	•	•
156/166	2.4JTD	•	•
155/164	2.5TD	•	•
164	2.5TD	•	•
166	2.4JTD	•	•
AUDI			
80/90/100	1.6/1.9/2.0/2.4	•	•
100	2.5TD/DTI	•	•
A2	1.2/4TDI PD	•	•
A3/A4/A6	1.9TDI/PD	•	•
BMW			
1 SER 118/120	2.0D	•	•
318TDS	1.7D	•	•
318/320	1.9/2.0D	•	•
324/325	2.4D/2.4TD	•	•
330D	3.0D	•	•
520D	2.0D	•	•
524D/524TD	2.4D	•	•
525TD/TDS	2.5D	•	•
525D	2.5D	•	•
530D/535D	3.0D	•	•
725TDS	2.5D	•	•
730D/740D	3.0D/3.9D	•	•
X3/X5	2.0D/3.0D/DT	•	•
CHRYSLER			
JEEP/CHER	2.5DT	•	•
JEEP G/C	2.5DT	•	•
JEEP G/C	2.7CRD	•	•
JEEP G/C	3.1DT	•	•
PT CRUISER	2.2D	•	•
VOYAGER/GRAND	2.5DT/CRD	•	•
CITROEN			
AX	1.4D	•	•
AX	1.5D	•	•
BERLINGO	1.6HDI	•	•
BERLINGO	1.8D/1.9D	•	•
BERLINGO	1.9D (DW8)	•	•
BERLINGO	2.0HDI	•	•
BX	1.7D/1.9D	•	•
C1/C2	1.4HDI	•	•
C3	1.4/1.6HDI	•	•
C4/C5	1.6HDI	•	•
C5/C8	2.0HDI	•	•
C15D	1.7D	•	•
C15D	1.9D	•	•
C25D	1.9/2.5D/DT	•	•
DISPATCH	1.9D/DT	•	•
DISPATCH	1.9D (DW8)	•	•
DISPATCH	2.0HDI	•	•
DISPATCH	2.1DT	•	•
EVASION	1.9/2.1DT	•	•
EVASION	2.0HDI	•	•
JUMPY	1.9D/DT	•	•
JUMPY	1.9D (DW8)	•	•
JUMPY/2	2.0HDI	•	•
JUMPY	2.1/2.5DT	•	•
PICASSO	1.6HDI	•	•
PICASSO	2.0HDI	•	•
RELAY	1.9D/DT	•	•
RELAY	2.5D/DT	•	•
RELAY 2	2.0HDI	•	•
SAXO	1.5D	•	•
SYNERGIE	1.9/2.1DT	•	•
SYNERGIE	2.0HDI	•	•
XANTIA	1.9/2.1DT	•	•
XANTIA	2.0HDI	•	•
XM	2.1/2.2/2.5D	•	•
XSARA	1.4HDI	•	•
XSARA	1.5D	•	•
XSARA	1.5D 99>	•	•
XSARA	1.8/1.9D	•	•
XSARA	1.9 (DW8)	•	•
XSARA	2.0HDI	•	•
ZX	1.8/1.9D	•	•

		314295V2	314200V2
DAEWOOD			
HIJET	1.2D	•	•
KORANDO/MUSSO	2.3/2.9D	•	•
DAIHATSU			
CHARADE	1.0TD	•	•
FOURTRACK	2.7/2.8DT	•	•
FIAT			
BRAVA/BRAVO	1.9D/TD	•	•
BRAVA/BRAVO	1.9JTD	•	•
CROMA	1.9JTD 8V	•	•
CROMA	1.9JTD 16V	•	•
CROMA	2.4D MULTIJET	•	•
CROMA	2.5DT	•	•
DOBLO	1.9D/TD	•	•
DOBLO	1.9JTD	•	•
DUCATO	1.9/2.5D	•	•
DUCATO	2.0DJTD	•	•
FIORINO	1.3/1.7D	•	•
IDEA	1.9JTD	•	•
MAREA	1.9/2.4TD	•	•
MAREA	1.9/2.4JTD	•	•
MULTIPLA	1.9JTD	•	•
PALIO WEEKEND	1.7D	•	•
PALIO WEEKEND	1.9JTD	•	•
PANDA	1.3D	•	•
PUNTO	1.7D/TD	•	•
PUNTO	1.9JTD	•	•
SCUDO	1.9D/TD	•	•
SCUDO	1.9 (DW8)	•	•
SCUDO	2.0DJTD	•	•
SCUDO	1.9JTD 8V	•	•
STILO	1.9JTD/M/J	•	•
STRADA	1.7TD	•	•
STRADA	1.9JTD	•	•
TEMPRA	1.9D/TD	•	•
TIPO	1.7/1.9D/TD	•	•
ULYSSE	1.9/2.1TD	•	•
ULYSSE	2.0DJTD	•	•
UNO	1.3/4/1/7/9D	•	•
FORD			
ESCORT/ORION>02	1.6/8D/DT	•	•
FIESTA	1.4/6TDCI	•	•
FIESTA>02	1.8D	•	•
FIESTA	1.8TD	•	•
FOCUS	1.8TDCI/DI	•	•
FOCUS 2	1.6TDCI	•	•
FOCUS CMAX	1.6TDCI	•	•
FUSION	1.4/6TDCI	•	•
GALAXY	1.9TDI/PD	•	•
GRANADA/SCOR>94	2.5D	•	•
GRANADA/SCOR94>	2.5D	•	•
MAVERICK	2.7D	•	•
MONDEO	1.8D	•	•
MONDEO	2.0DI/DTCI	•	•
MONDEO	2.0DTDDI	•	•
MONDEO	2.2TDCI	•	•
P100	1.8D	•	•
RANGER	2.5D	•	•
TRANSIT CONNECT	1.8D TDCI	•	•
TRANSIT	1.8D TDDI	•	•
TRANSIT	2.0/4D	•	•
FSO			
CARO	1.9D	•	•
HONDA			
ACCORD	20T	•	•
CIVIC	20T	•	•
HYUNDAI			
H100	2.5/2.6D	•	•
STAREX	2.5D	•	•
ISUZU			
CAMPO	2.5/3.1D	•	•
NKR	3.1D	•	•
NPR	3.9D	•	•
TROOPER	2.8D	•	•
TROOPER	3.0/1D	•	•
JAGUAR			
X-TYPE	2.0D	•	•

		314295V2	314200V2
LANCIA			
DEDRA/DELTA	1.9D	•	•
KAPPA	2.4D	•	•
KAPPA	2.4JTD	•	•
LYBRA	1.9D/2.4DJTD	•	•
MUSA	1.9 MULTIJET	•	•
PHEDRA	2.0DJTD 8V	•	•
PRISMA	1.9D	•	•
THEMA	2.5D	•	•
THEMIS	2.4JTD	•	•
LAND ROVER			
90/110>92	2.5D	•	•
90/110	200TDI	•	•
DEFENDER	300TDI	•	•
DEFENDER	10P TD5	•	•
DISCOVERY	19L/TD5	•	•
DISCOVERY	200/300TDI	•	•
FREELANDER	2.0D	•	•
RANGE ROVER	100/300TDI	•	•
LDV			
200/PILOT	1.9D	•	•
200/SHERPA	2.0D	•	•
400/CONVOY	2.5D	•	•
MAZDA			
2	1.4CD	•	•
121	1.8D	•	•
323	1.7/2.0D	•	•
626	2.0D	•	•
MPV	2.5DT	•	•
PREMACY	2.0D	•	•
MERCEDES			
190D	2.0/2.5D	•	•
200/250/300D	2.0/2.5/3.0D	•	•
C200/220/250D	2.0D	•	•
C200/220/270CDI	2.0/2.2/2.7D	•	•
CLK	2.7D	•	•
E200/250D	2.0/2.5D	•	•
E200/220/270CDI	2.0/2.2/2.7D	•	•
E290/E300DT	2.9/3.0D	•	•
ML270CDI	2.7D	•	•
S300TD	3.0D	•	•
SCLASS220	4.0D	•	•
SPRINTER	2.3/2.9D	•	•
SPRINTER	2.2/2.7CDI	•	•
VITO	2.3D	•	•
VITO	2.2CDI	•	•
V CLASS	2.2CDI	•	•
V CLASS	2.3DT	•	•
MITSUBISHI			
CARISMA	1.9D	•	•
CANTER T35	2.5D	•	•
CHALLENGER	2.5D	•	•
GALANT	1.8/2.0D	•	•
LANCER	2.0D	•	•
L200/300	2.5D	•	•
SHOGUN	2.3/2.5D	•	•
SPACE RUNNER	2.0D	•	•
SPACE WAGON	1.8/2.0D	•	•
NISSAN			
ALMERA>00	2.0D	•	•
ALMERA 00>	2.2D	•	•
ALMERA 11	1.5DCI	•	•
CABSTAR	2.3/2.5/2.7D	•	•
INTERSTAR	1.9D DCI	•	•
INTERSTAR	2.2/5D DCI	•	•
MICRA	1.5D/DCI	•	•
NAVARA>02	2.5D	•	•
PATROL	4.2D	•	•
PICK-UP	TD25	•	•
PRIMASTER	1.9D DCI	•	•
PRIMERA>02	2.0D	•	•
PRIMERA	2.2DI/DDI	•	•
SUNNY	1.7/2.0D	•	•
TERRANO	2.7D	•	•
VANETTE CARGO	2.3D	•	•
URVAN	2.3/2.5D	•	•
X-TRAIL	2.2D	•	•

Diesel Compression Testing - Applications Listing & Kit Contents

		314295V2	314200V2
PEUGEOT			
106	1.4D	*	*
106	1.4D	*	*
205	1.8/1.9D	*	*
205CC	1.6HDI FAP	*	*
206	1.4/1.6HDI	*	*
206	1.9D	*	*
206	2.0HDI	*	*
206SW	1.6HDI FAP	*	*
207	1.4/1.6HDI	*	*
305	1.8/1.9D	*	*
306	1.8/1.9D	*	*
306	1.9D (DW8)	*	*
306	2.0HDI	*	*
307/SW	1.4/1.6HDHDI	*	*
307/CC/SW	2.0HDI	*	*
309	1.8/1.9D	*	*
405	1.9D	*	*
406	1.9D	*	*
406	2HDI	*	*
406	2.1D	*	*
407/SW	1.6HDI FAP	*	*
407/SW	2.0HDI	*	*
605	2.1/2.2/2.5D	*	*
607	2.0HDI	*	*
806	1.9/2.1D	*	*
806/807	2HDI	*	*
1007	1.4HDI	*	*
BOXER	1.9/2.5D	*	*
BOXER	2.0HDI	*	*
EXPERT	1.9/2.1D	*	*
EXPERT	1.9D (DW8)	*	*
EXPERT	2.0HDI	*	*
J5/J9	1.9/2.5D	*	*
PARTNER	1.8/1.9D	*	*
PARTNER	1.9D (DW8)	*	*
PARTNER	2HDI	*	*
PROTON			
PERSONA	2.0D	*	*
RENAULT			
AVANTIME	2.2D	*	*
CLIO	1.9D	*	*
CLIO 2	1.9/1.5DCI	*	*
ESPACE	1.9/2.2DT	*	*
ESPACE	2.1D	*	*
ESPACE 1V	1.9D DCI	*	*
ESPACE	2.2D DCI	*	*
KANGOO	1.5/1.9DCI	*	*
LAGUNA	1.9D/DTI	*	*
LAGUNA	2.2D	*	*
LAGUNA 2	1.9DCI	*	*
LAGUNA 2	2.2D DCI	*	*
MASTER	1.9D DCI	*	*
MASTER	2.2/2.5D DCI	*	*
MASTER	2.5D/DT	*	*
MEGANE	1.5D DCI	*	*
MEGANE	1.9D>98	*	*
MEGANE	1.9/DCI/DTI	*	*
R5D/EXTRA	1.6/1.9D	*	*
R19/21/25	1.9/2.1D	*	*
SAFRANE	2.1/2.5D	*	*
SAFRANE	2.2D	*	*
SCENIC	1.9/DCI/DTI	*	*
SCENIC II	1.5/1.9DCI	*	*
TRAFFIC	1.9D/DCI	*	*
TRAFFIC	2.1/2.5D	*	*
TRAFFIC	2.2/2.5D DCI	*	*
VEL SATIS	2.2D DCI	*	*
ROVER			
CDV	2.0D	*	*
METRO/100	1.4D	*	*
115	1.5D	*	*
MG/ZR/ZS/EXPRESS	2.0D	*	*
25/45/75	2.0D	*	*
218/418	1.8D	*	*
220/420/620	2.0D	*	*
825	2.5D	*	*

		314295V2	314200V2
SAAB			
9-3	1.9TID	*	*
9-3	2.2D	*	*
9-5	2.2D	*	*
SEAT			
ALHAMBRA	1.9TDI/PD	*	*
ALTEA	1.9TDI	*	*
AROSA	1.4D TDI PD	*	*
AROSA	1.7SDI	*	*
IBIZA/CORDOBA	1.7D	*	*
IBIZA/CORDOBA>99	1.9D	*	*
IBIZA/CORDOBA<99	1.9D	*	*
CORDOBA	1.9TDI	*	*
INCA	1.9D SDI	*	*
INCA	1.9D TDI	*	*
LEON	1.9SDI/TDI	*	*
RONDA	1.7/9D	*	*
TERRA	1.3/4D	*	*
TOLEDO	1.9D	*	*
TOLEDO	1.9TDI/PD	*	*
SKODA			
FABIA	1.4/1.9SDI/TDI	*	*
FELICIA	1.9D	*	*
OCTAVIA	1.9D/SDI/TDI	*	*
ROOMSTER	1.4/1.9TDI	*	*
SUPERB	1.9TDI/PD	*	*
SUZUKI			
BALENO	1.9D	*	*
GRAND VITARA	2.0D	*	*
SAMURAI	1.9D	*	*
VITARA	1.9D	*	*
TATA			
207/GURKHA	1.9D	*	*
AVENSIS>99	2.0D	*	*
TOYOTA			
AVENSIS	2.0D	*	*
CARINA E	2.0D	*	*
COROLLA	1.8D	*	*
COROLLA	1.9D	*	*
COROLLA >99	2.0D	*	*
COROLLA <99	2.0D	*	*
DYNA	2.5/2.8D	*	*
HI ACE	2.5D	*	*
HI LUX	2.5D	*	*
LANDCRUISER >99	2.4/3.0D	*	*
LANDCRUISER 00>	3.0D	*	*
LITE ACE >95	1.8/2.0D	*	*
PICNIC	2.2D	*	*
PREVIA	2.0D	*	*
RAV4	2.0D	*	*
4-RUNNER	2.4/3.0D	*	*
VAUXHALL			
ARENA	1.9D	*	*
ARENA	2.5D	*	*
ASTRA F >00	1.7DT	*	*
ASTRA >00	1.7D	*	*
ASTRA G	1.7D/DTI/CDTI	*	*
ASTRA G	2.0D DTI	*	*
ASTRA H	1.7CDTI	*	*
ASTRA H	1.9CDTI	*	*
CORSA B	1.5/1.7D	*	*
CORSA C	1.7DI/DTI/CDTI	*	*
FRONTERA	2.3D	*	*
FRONTERA	2.5D	*	*
FRONTERA B	2.2D	*	*
MERIVA	1.7DI/DTI/CDTI	*	*
MIDI	2.0/2D	*	*
MONTEREY	3.1D	*	*
MOVANO	1.9DTI/CDTI	*	*
MOVANO	2.2/2.5 DTI	*	*
MOVANO	2.5D	*	*
OMEGA	2.3D	*	*
OMEGA B	2.5D	*	*
OMEGA B	2.0D/2.2DTI	*	*
SINTRA	2.2D	*	*
SIGNUM	1.9CDTI	*	*
SIGNUM	2.0/2.2DTI 16V	*	*

		314295V2	314200V2
VAUXHALL Cont'd			
VECTRA	1.7D	*	*
VECTRA B	1.7D (IZUZU)	*	*
VECTRA B	2.0D/DTI	*	*
VECTRA C	1.9CDTI	*	*
VECTRA C	2.0D/DTI	*	*
VIVARO	1.9DI/TDI	*	*
VIVARO	2.5D DTI	*	*
ZAFIRA	1.7D DTI	*	*
ZAFIRA	1.9CDTI	*	*
VOLKSWAGEN			
BEETLE	1.9TDI/PD	*	*
BORA	1.9TDI/PD/SD	*	*
CADDY	1.6/1.9D	*	*
CADDY	1.7D SDI	*	*
CADDY	1.9D SDI/TDI	*	*
FOX	1.4D TDI	*	*
GOLF 111	1.9D/1.9TD	*	*
GOLF 111	1.9D SDI/TDI	*	*
GOLF IV	1.9TDI	*	*
GOLF V	1.9TDI PD	*	*
JETTA 3	1.9TDI PD	*	*
LT	2.4D	*	*
LT	2.5TD/SDI/TDI	*	*
LT	2.8D	*	*
LUPO	1.2/4 TDI PD	*	*
LUPO	1.7D SDI	*	*
MULIVAN	1.9/2.5TDI	*	*
PASSAT	1.6/1.9D>96	*	*
PASSAT	1.9D TDI/PD	*	*
PHAETON		*	*
POLO	1.3/4D	*	*
POLO	1.4TDI/PD	*	*
POLO	1.9D<98	*	*
POLO	1.7/9D/SDI	*	*
POLO	1.9D TDI/PD	*	*
SHARAN	1.9D TDI/PD	*	*
TOUAREG	2.5/5.0 TDI	*	*
TOURAN	1.9TDI PD	*	*
TRANSPORTER	1.6/7/9D/2.4D	*	*
TRANSPORTER	1.9TDI	*	*
TRANSPORTER	2.5DTI (5)	*	*
VENTO	1.9D>96	*	*
VENTO	1.9D/DTI	*	*
VOLVO			
740/760/940/960	1.9/2.4D	*	*
850TDI	2.5D TDI	*	*
S40/2/V50	1.6D	*	*
S40	1.9D>99	*	*
S40/V40	1.9D	*	*
S70/S80/V70	2.5DTDI	*	*

INDIVIDUAL OPTIONAL APPLICATIONS			
DUMMY GLOW PLUGS	Thread	Length	Part No.
AUDI V6	M10 x 1.0	126mm	31426670
FIAT 1.3JTD	M8 x 1.0	102mm	31427570
JAGUAR 2.7D			31427770
LAND ROVER 2.25D	M14 x 1.25	71mm	31421400
NISSAN 1.5DCi	M10 x 1.0	102mm	31427470
PEUGEOT 2.7Hdi			31427770
RENAULT 1.5DCi	M10 x 1.0	102mm	31427470
VAUXHALL 1.3CDTI	M8 x 1.0	102mm	31427570
VOLVO 2.4D			31427770
DUMMY INJECTORS		Length	Part No.
FORD TRANSIT 2.5D		112mm	31423000
LTI / CARBODIES 2.3D/2.7D		114mm	31422100
LANDROVER 2.5D CAV		104mm	31424470
LANDROVER TDI 300		152mm	31424270
PEUGEOT 2.1D		114mm	31422100
PEUGEOT 2.2 Hdi		172mm	31427670
VW / AUDI 1.9 Tdi		174mm	31423870
FORD 2.0/2.2/2.4 TDCi		135mm	31428100

Diesel Engine Compression Tester HGV / Commercial Starter Kit

31430000

A starter kit of Adaptors and Clamping plates for checking compression on both direct and indirect Commercial Diesel Injected Engines. Suitable for all types of heavy duty diesel engines - HGV, Industrial, Plant, Marine, Agricultural

Set Contents

- Injector Mandrel Set (31420500)
- Diesel Compression Gauge (31420100)

Specification:-

- Hose Assembly length : 560mm
- Gauge scale range : 0 - 60 bar, 0 - 860 psi
- Gauge diameter : 83mm
- Gauge to DIN16005, DIN16063, BS1780 standards

Spare Parts:

- | | |
|----------|---|
| 31400500 | Service Kit for 31420100 Compression Tester |
| 01420500 | Seals and Washers |



Diesel Engine Compression Tester Upgrade Kit

31420500

For owners of Car Application Diesel Compression Kits:-

- Injector Mandrel Set to upgrade 314200V2 or 314295V2, for HGV
- Extends applications coverage to commercial vehicles
- Also suitable for use with older generations of SP Diesel Compression kits



Diesel Engine Compression Tester Comprehensive HGV / Commercial Master Kit

314395V2

A comprehensive Master Kit covering the majority of HGV, Industrial, Plant, Marine and Agricultural applications

- A universal mandrel system allows the user to duplicate a wide variety of injectors
- A selection of common dummy injectors are also included

The kit is supplied with detailed applications information. For each application, the user is able to assemble the required components to create the necessary 'dummy' injector. The correct combination of components for each application is clearly identified in the applications & instructions booklet, with a scale diagram showing the order of assembly.

Specification:-

- Hose Assembly length: 560mm
- Gauge scale range: 0 - 60 bar, 0 - 860 psi
- Gauge diameter: 83mm
- Gauge to DIN16005, DIN16063, BS1780 standards
- Kit supplied with comprehensive vehicle applications information book

Set Contents

- 31420100 Diesel Compression Tester
- Dummy Injectors (7)
- Centre Pillars, Pilot Pins, Clamping Plates (3 of each)
- Collars & Shoulder Nuts (3 of each)
- Spacers, End Adaptors (6 of each)
- Special Application adaptors (2)
- Service Kit of seals and washers (1)

