



## USER INSTRUCTIONS FOR 08758000 FORD TRANSIT BEARING REMOVER 2013 ONWARDS

### TOOL USE AND APPLICATION

This tool is for the safe removal of front wheel bearing assembly (GEN 3) and separation of the disc from the bearing assembly (GEN 3) without damage to the disc and bearing unit, enabling them to be reused if required. This tool is for work on both rear wheel and front wheel drive; Transit Custom 2012 onwards and Transit 2013 onwards.

### Instructions for Hub Removal

1. With the vehicle in a suitable working position remove wheels, brake calipers and hub nut (if FWD).
2. Remove the five T50 bolts and replace with the five short rods, ensure they are screwed all the way in and level as shown (fig 1).
3. Remove the six 13mm bolts and replace with the transit pillars, again keeping them level (fig 1).
4. Slide the bottom plate down the rods as shown (fig 2).
5. Add top plate and secure with nuts (fig 3).
6. Insert main impact screw and apply force with shock handle or socket and impact gun (fig 4).

FIG 1

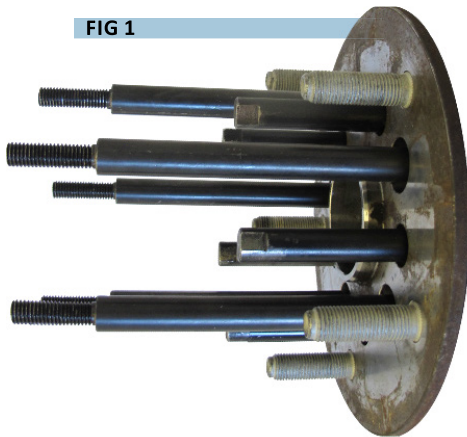


FIG 2



FIG 3

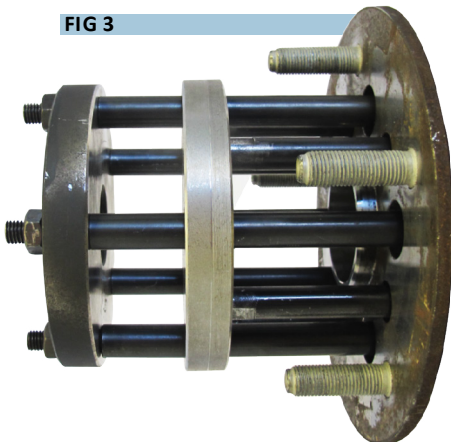
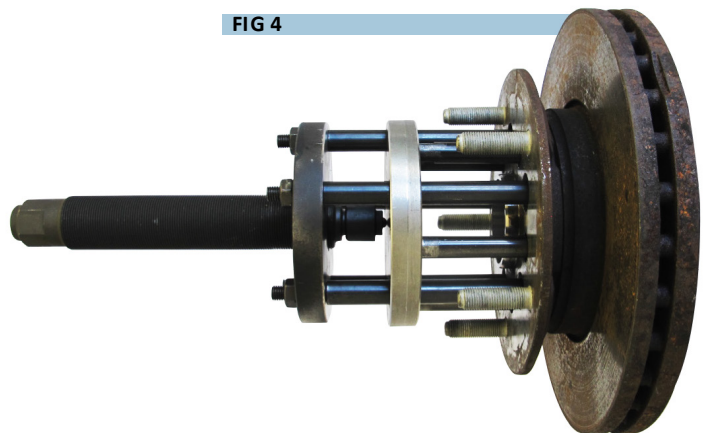


FIG 4

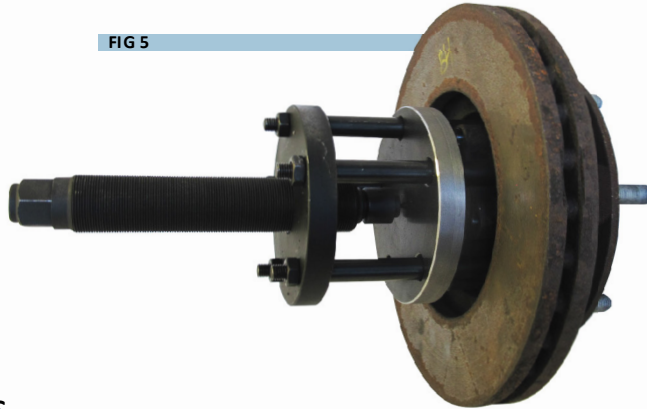




## Instructions for Disc Removal

1. Insert the five transit pillars into the threads in the disc (short thread end).
2. Slide the bottom plate down the rods to rest on the bearing.
3. Attach the top plate with the five nuts.
4. Insert the impact screw into the top plate and run it down against the bottom plate until the disc is removed (fig 5).

FIG 5



## 08758000 CONTENTS

Product Image	Product Description	Part Number
	Short Rods x 5	087580-01
	Bottom Plate	087580-02
	Top Plate	087580-03
	Transit Pillar x 5	08252770
	Shock Handle	08251900
	Impact Screw	12731100