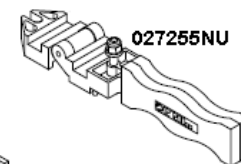
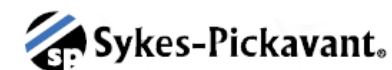


AUTOMOTIVE FLAREMASTER

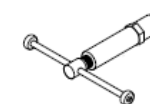
02725000



027255NU



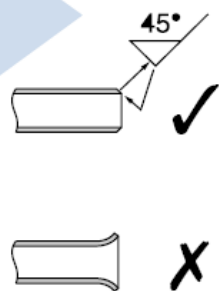
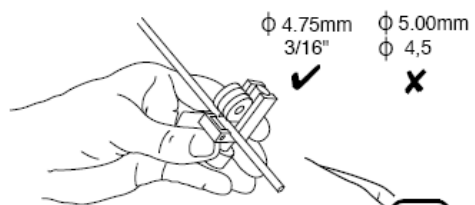
02720470
4.75 SAE / DIN
DIE SET



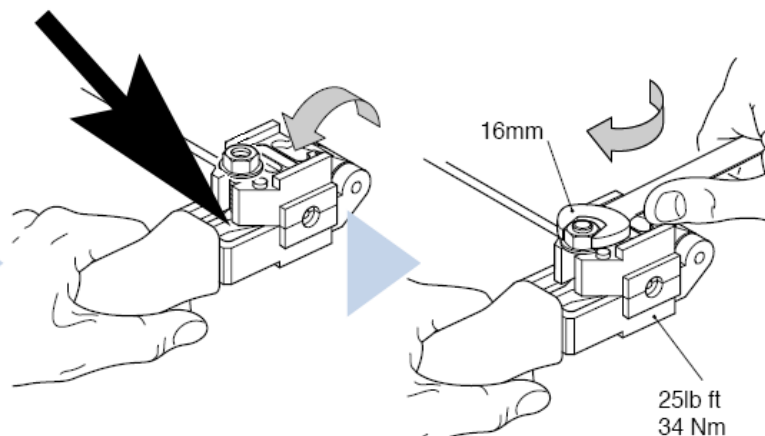
02724470
6.0 SAE / DIN
DIE SET



02725270

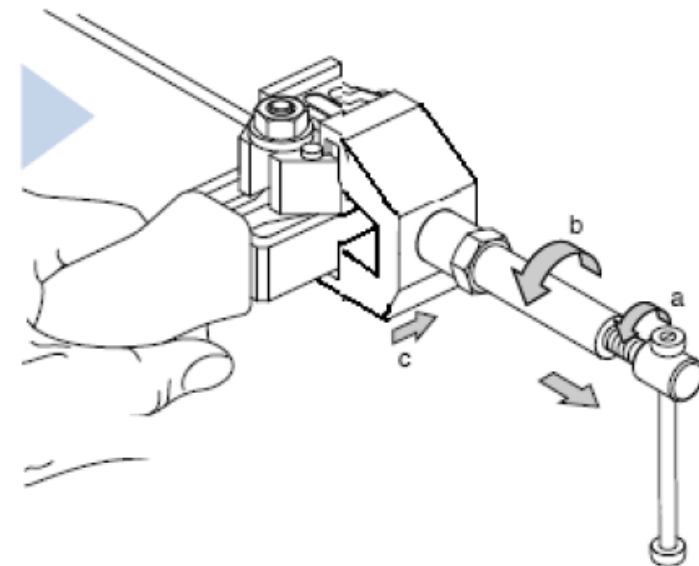
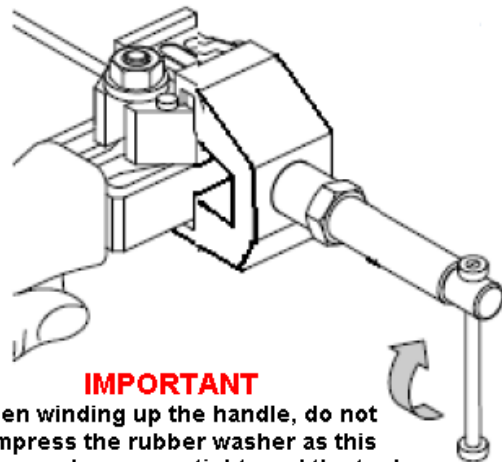
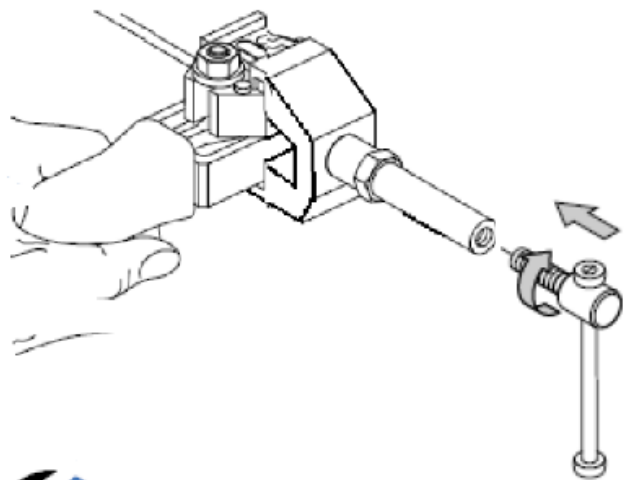
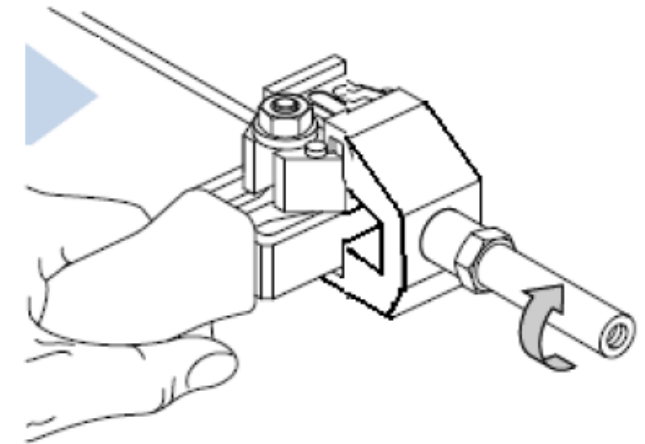
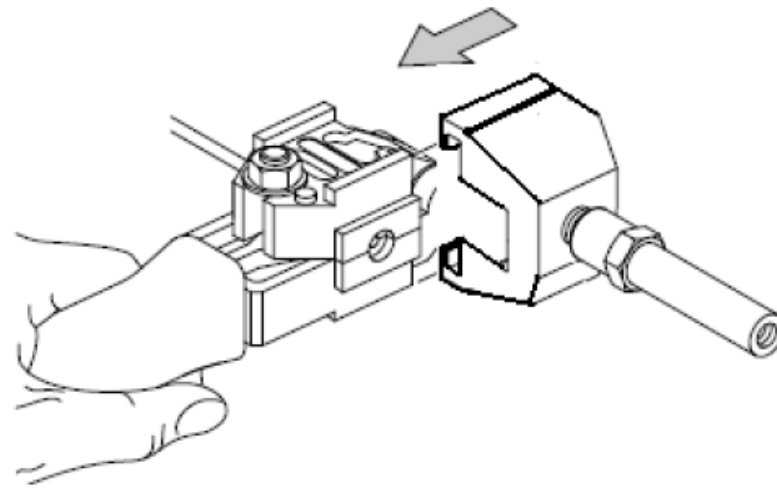
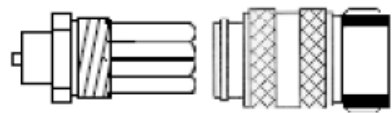
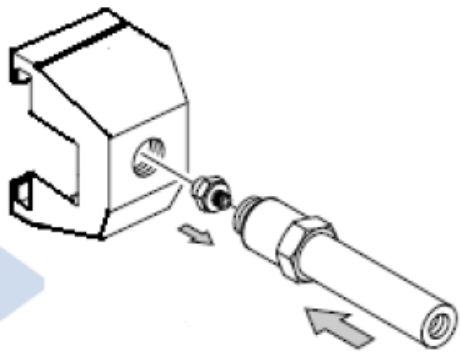


IMPORTANT
Do not overtighten.
Gap between top plate
and bottom NOT to be less than 1mm



IMPORTANT
Do not over tighten.
Hand tighten
180° Maximum

- ⊕ OP1 4.75+3/16 PUNCH 02725170
- ⊕ OP2 4.75+3/16+6MM PUNCH 02727170
- ⊕ 4.75 PUNCH 02726170
- ⊕ 6MM PUNCH 02725570
- ⊕ 6MM PUNCH 02726270



IMPORTANT

When winding up the handle, do not compress the rubber washer as this means you have over tightened the tool